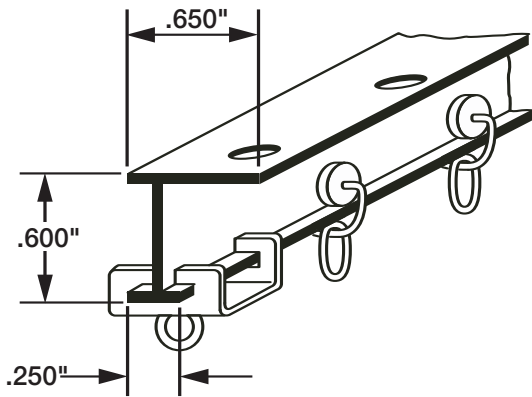


4148 - 4196



RECMAR's sleek and stylish L Beam Curtain Track Kits come completely assembled, with pre-punched installation holes on eight inch centers, along with nylon wheel carriers and end stops. Simply insert drapery pin hooks into rings on the nylon wheel carriers or eye slides, allowing for friction free travel across the track. These durable, mill finish aluminum tracks will last a lifetime. One way or two way hand draw, with no cords to break or tangle.

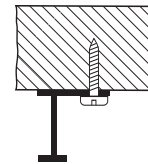
PART #

KIT CONTENTS

| | |
|-------|---|
| 4148* | (1) 48 in. L Beam w/Mill Finish, (12) Carriers #4123, (2) End Stops #4135 |
| 4160* | (1) 60 in. L Beam w/Mill Finish, (14) Carriers #4123, (2) End Stops #4135 |
| 4172* | (1) 72 in. L Beam w/Mill Finish, (18) Carriers #4123, (2) End Stops #4135 |
| 4184* | (1) 84 in. L Beam w/Mill Finish, (22) Carriers #4123, (2) End Stops #4135 |
| 4196* | (1) 96 in. L Beam w/Mill Finish, (24) Carriers #4123, (2) End Stops #4135 |

*Tracks are available separately, refer to RECMAR part number 4200.

INSTALLATION OPTIONS



CEILING MOUNT

ADDITIONAL AVAILABLE ACCESSORIES

| NYLON BLOCK CARRIER | NYLON WHEEL CARRIER | NYLON WHEEL CARRIER WITH SHACKLE | NYLON WHEEL CARRIER WITH HOOK | | | | | | | | | | | | | | | | | | | | | | | | | | | | | | | | | | | | | | | | | | | | | | | | | | | | | | | | | | | | |
|---|---------------------------------|----------------------------------|-------------------------------|------|----------------------------|----|------|----------------------------|------|---|-------------------------|-------------|---|-------|------------------------|------|------|----------------------------|------|--------|-----------------------------|------|--------|-------------------------|------|--|------------------|-------------|------|-------------------|-------------------|--------|----------------------------|--------------------|---------|--|-------|---|--------|-------------|------------------------|------|----------------------|-------------------------|------|-----------------------|------|------|--------------------------------|----|------|---------------------------------|------|--|--------|-------------|------|------|-------------------|---|------|--------------------|-----|
| | | | | | | | | | | | | | | | | | | | | | | | | | | | | | | | | | | | | | | | | | | | | | | | | | | | | | | | | | | | | | | | |
| <table border="1"> <thead> <tr> <th>PART#</th> <th>DESCRIPTION</th> <th>QTY.</th> </tr> </thead> <tbody> <tr> <td>3312</td> <td>White Nylon, Bag</td> <td>14</td> </tr> <tr> <td>3313</td> <td>White Nylon, Bulk</td> <td>1000</td> </tr> </tbody> </table> | PART# | DESCRIPTION | QTY. | 3312 | White Nylon, Bag | 14 | 3313 | White Nylon, Bulk | 1000 | <table border="1"> <thead> <tr> <th>PART #</th> <th>DESCRIPTION</th> <th>QTY.</th> </tr> </thead> <tbody> <tr> <td>4121</td> <td>Zinc Plated Steel, Bag</td> <td>14</td> </tr> <tr> <td>4123</td> <td>Zinc Plated Steel, Bulk</td> <td>1000</td> </tr> <tr> <td>4121-B</td> <td>Zinc Plated Brass, Bag</td> <td>14</td> </tr> <tr> <td>4123-B</td> <td>Zinc Plated Brass, Bulk</td> <td>1000</td> </tr> </tbody> </table> | PART # | DESCRIPTION | QTY. | 4121 | Zinc Plated Steel, Bag | 14 | 4123 | Zinc Plated Steel, Bulk | 1000 | 4121-B | Zinc Plated Brass, Bag | 14 | 4123-B | Zinc Plated Brass, Bulk | 1000 | <table border="1"> <thead> <tr> <th>PART #</th> <th>DESCRIPTION</th> <th>QTY.</th> </tr> </thead> <tbody> <tr> <td>4121-BBTS</td> <td>Plated Brass, Bag</td> <td>14</td> </tr> <tr> <td>4123-BBTS</td> <td>Plated Brass, Bulk</td> <td>1000</td> </tr> </tbody> </table> | PART # | DESCRIPTION | QTY. | 4121-BBTS | Plated Brass, Bag | 14 | 4123-BBTS | Plated Brass, Bulk | 1000 | <table border="1"> <thead> <tr> <th>PART#</th> <th>DESCRIPTION</th> <th>QTY.</th> </tr> </thead> <tbody> <tr> <td>4121-V</td> <td>Zinc Plated Steel, Bag</td> <td>14</td> </tr> <tr> <td>4123-V</td> <td>Zinc Plated Steel, Bulk</td> <td>100</td> </tr> </tbody> </table> | PART# | DESCRIPTION | QTY. | 4121-V | Zinc Plated Steel, Bag | 14 | 4123-V | Zinc Plated Steel, Bulk | 100 | | | | | | | | | | | | | | | | | | |
| PART# | DESCRIPTION | QTY. | | | | | | | | | | | | | | | | | | | | | | | | | | | | | | | | | | | | | | | | | | | | | | | | | | | | | | | | | | | | | |
| 3312 | White Nylon, Bag | 14 | | | | | | | | | | | | | | | | | | | | | | | | | | | | | | | | | | | | | | | | | | | | | | | | | | | | | | | | | | | | | |
| 3313 | White Nylon, Bulk | 1000 | | | | | | | | | | | | | | | | | | | | | | | | | | | | | | | | | | | | | | | | | | | | | | | | | | | | | | | | | | | | | |
| PART # | DESCRIPTION | QTY. | | | | | | | | | | | | | | | | | | | | | | | | | | | | | | | | | | | | | | | | | | | | | | | | | | | | | | | | | | | | | |
| 4121 | Zinc Plated Steel, Bag | 14 | | | | | | | | | | | | | | | | | | | | | | | | | | | | | | | | | | | | | | | | | | | | | | | | | | | | | | | | | | | | | |
| 4123 | Zinc Plated Steel, Bulk | 1000 | | | | | | | | | | | | | | | | | | | | | | | | | | | | | | | | | | | | | | | | | | | | | | | | | | | | | | | | | | | | | |
| 4121-B | Zinc Plated Brass, Bag | 14 | | | | | | | | | | | | | | | | | | | | | | | | | | | | | | | | | | | | | | | | | | | | | | | | | | | | | | | | | | | | | |
| 4123-B | Zinc Plated Brass, Bulk | 1000 | | | | | | | | | | | | | | | | | | | | | | | | | | | | | | | | | | | | | | | | | | | | | | | | | | | | | | | | | | | | | |
| PART # | DESCRIPTION | QTY. | | | | | | | | | | | | | | | | | | | | | | | | | | | | | | | | | | | | | | | | | | | | | | | | | | | | | | | | | | | | | |
| 4121-BBTS | Plated Brass, Bag | 14 | | | | | | | | | | | | | | | | | | | | | | | | | | | | | | | | | | | | | | | | | | | | | | | | | | | | | | | | | | | | | |
| 4123-BBTS | Plated Brass, Bulk | 1000 | | | | | | | | | | | | | | | | | | | | | | | | | | | | | | | | | | | | | | | | | | | | | | | | | | | | | | | | | | | | | |
| PART# | DESCRIPTION | QTY. | | | | | | | | | | | | | | | | | | | | | | | | | | | | | | | | | | | | | | | | | | | | | | | | | | | | | | | | | | | | | |
| 4121-V | Zinc Plated Steel, Bag | 14 | | | | | | | | | | | | | | | | | | | | | | | | | | | | | | | | | | | | | | | | | | | | | | | | | | | | | | | | | | | | | |
| 4123-V | Zinc Plated Steel, Bulk | 100 | | | | | | | | | | | | | | | | | | | | | | | | | | | | | | | | | | | | | | | | | | | | | | | | | | | | | | | | | | | | | |
| WRINKLE BAND TAPE | WRINKLE BAND HOOK | DRAPERY PIN HOOK | END STOP | | | | | | | | | | | | | | | | | | | | | | | | | | | | | | | | | | | | | | | | | | | | | | | | | | | | | | | | | | | | |
| | | | | | | | | | | | | | | | | | | | | | | | | | | | | | | | | | | | | | | | | | | | | | | | | | | | | | | | | | | | | | | | |
| <table border="1"> <thead> <tr> <th>PART #</th> <th>DESCRIPTION</th> <th>QTY.</th> </tr> </thead> <tbody> <tr> <td>3095</td> <td>1.15 in. x 330 yards, Roll</td> <td>1</td> </tr> <tr> <td>3096</td> <td>1.15 in. x 1100 yards, Box</td> <td>1</td> </tr> <tr> <td>3096Y</td> <td>1.15 in. x 1 yard, Bulk</td> <td>1</td> </tr> </tbody> </table> <p>Color: White</p> | PART # | DESCRIPTION | QTY. | 3095 | 1.15 in. x 330 yards, Roll | 1 | 3096 | 1.15 in. x 1100 yards, Box | 1 | 3096Y | 1.15 in. x 1 yard, Bulk | 1 | <table border="1"> <thead> <tr> <th>PART#</th> <th>DESCRIPTION</th> <th>QTY.</th> </tr> </thead> <tbody> <tr> <td>4142</td> <td>1 in. Stainless Steel, Bag</td> <td>14</td> </tr> <tr> <td>4143</td> <td>1 in. Stainless Steel, Bulk</td> <td>1000</td> </tr> </tbody> </table> <p>J HOOK</p> <table border="1"> <thead> <tr> <th>PART #</th> <th>DESCRIPTION</th> <th>QTY.</th> </tr> </thead> <tbody> <tr> <td>7142</td> <td>1 1/2 Steel, Bag</td> <td>14</td> </tr> <tr> <td>7143</td> <td>1 1/2 Steel, Bulk</td> <td>1000</td> </tr> <tr> <td>714-SS</td> <td>1 1/2 Stainless Steel, Bag</td> <td>14</td> </tr> <tr> <td>7143-SS</td> <td>1 1/2 Stainless Steel, Bulk</td> <td>1000</td> </tr> </tbody> </table> | PART# | DESCRIPTION | QTY. | 4142 | 1 in. Stainless Steel, Bag | 14 | 4143 | 1 in. Stainless Steel, Bulk | 1000 | PART # | DESCRIPTION | QTY. | 7142 | 1 1/2 Steel, Bag | 14 | 7143 | 1 1/2 Steel, Bulk | 1000 | 714-SS | 1 1/2 Stainless Steel, Bag | 14 | 7143-SS | 1 1/2 Stainless Steel, Bulk | 1000 | <table border="1"> <thead> <tr> <th>PART #</th> <th>DESCRIPTION</th> <th>QTY.</th> </tr> </thead> <tbody> <tr> <td>4136</td> <td>1 3/8 in. Steel, Bag</td> <td>14</td> </tr> <tr> <td>4137</td> <td>1 3/8 in. Steel, Bulk</td> <td>1000</td> </tr> <tr> <td>4138</td> <td>1 3/8 in. Stainless Steel, Bag</td> <td>14</td> </tr> <tr> <td>4139</td> <td>1 3/8 in. Stainless Steel, Bulk</td> <td>1000</td> </tr> </tbody> </table> | PART # | DESCRIPTION | QTY. | 4136 | 1 3/8 in. Steel, Bag | 14 | 4137 | 1 3/8 in. Steel, Bulk | 1000 | 4138 | 1 3/8 in. Stainless Steel, Bag | 14 | 4139 | 1 3/8 in. Stainless Steel, Bulk | 1000 | <table border="1"> <thead> <tr> <th>PART #</th> <th>DESCRIPTION</th> <th>QTY.</th> </tr> </thead> <tbody> <tr> <td>4134</td> <td>Plated Steel, Bag</td> <td>2</td> </tr> <tr> <td>4135</td> <td>Plated Steel, Bulk</td> <td>100</td> </tr> </tbody> </table> | PART # | DESCRIPTION | QTY. | 4134 | Plated Steel, Bag | 2 | 4135 | Plated Steel, Bulk | 100 |
| PART # | DESCRIPTION | QTY. | | | | | | | | | | | | | | | | | | | | | | | | | | | | | | | | | | | | | | | | | | | | | | | | | | | | | | | | | | | | | |
| 3095 | 1.15 in. x 330 yards, Roll | 1 | | | | | | | | | | | | | | | | | | | | | | | | | | | | | | | | | | | | | | | | | | | | | | | | | | | | | | | | | | | | | |
| 3096 | 1.15 in. x 1100 yards, Box | 1 | | | | | | | | | | | | | | | | | | | | | | | | | | | | | | | | | | | | | | | | | | | | | | | | | | | | | | | | | | | | | |
| 3096Y | 1.15 in. x 1 yard, Bulk | 1 | | | | | | | | | | | | | | | | | | | | | | | | | | | | | | | | | | | | | | | | | | | | | | | | | | | | | | | | | | | | | |
| PART# | DESCRIPTION | QTY. | | | | | | | | | | | | | | | | | | | | | | | | | | | | | | | | | | | | | | | | | | | | | | | | | | | | | | | | | | | | | |
| 4142 | 1 in. Stainless Steel, Bag | 14 | | | | | | | | | | | | | | | | | | | | | | | | | | | | | | | | | | | | | | | | | | | | | | | | | | | | | | | | | | | | | |
| 4143 | 1 in. Stainless Steel, Bulk | 1000 | | | | | | | | | | | | | | | | | | | | | | | | | | | | | | | | | | | | | | | | | | | | | | | | | | | | | | | | | | | | | |
| PART # | DESCRIPTION | QTY. | | | | | | | | | | | | | | | | | | | | | | | | | | | | | | | | | | | | | | | | | | | | | | | | | | | | | | | | | | | | | |
| 7142 | 1 1/2 Steel, Bag | 14 | | | | | | | | | | | | | | | | | | | | | | | | | | | | | | | | | | | | | | | | | | | | | | | | | | | | | | | | | | | | | |
| 7143 | 1 1/2 Steel, Bulk | 1000 | | | | | | | | | | | | | | | | | | | | | | | | | | | | | | | | | | | | | | | | | | | | | | | | | | | | | | | | | | | | | |
| 714-SS | 1 1/2 Stainless Steel, Bag | 14 | | | | | | | | | | | | | | | | | | | | | | | | | | | | | | | | | | | | | | | | | | | | | | | | | | | | | | | | | | | | | |
| 7143-SS | 1 1/2 Stainless Steel, Bulk | 1000 | | | | | | | | | | | | | | | | | | | | | | | | | | | | | | | | | | | | | | | | | | | | | | | | | | | | | | | | | | | | | |
| PART # | DESCRIPTION | QTY. | | | | | | | | | | | | | | | | | | | | | | | | | | | | | | | | | | | | | | | | | | | | | | | | | | | | | | | | | | | | | |
| 4136 | 1 3/8 in. Steel, Bag | 14 | | | | | | | | | | | | | | | | | | | | | | | | | | | | | | | | | | | | | | | | | | | | | | | | | | | | | | | | | | | | | |
| 4137 | 1 3/8 in. Steel, Bulk | 1000 | | | | | | | | | | | | | | | | | | | | | | | | | | | | | | | | | | | | | | | | | | | | | | | | | | | | | | | | | | | | | |
| 4138 | 1 3/8 in. Stainless Steel, Bag | 14 | | | | | | | | | | | | | | | | | | | | | | | | | | | | | | | | | | | | | | | | | | | | | | | | | | | | | | | | | | | | | |
| 4139 | 1 3/8 in. Stainless Steel, Bulk | 1000 | | | | | | | | | | | | | | | | | | | | | | | | | | | | | | | | | | | | | | | | | | | | | | | | | | | | | | | | | | | | | |
| PART # | DESCRIPTION | QTY. | | | | | | | | | | | | | | | | | | | | | | | | | | | | | | | | | | | | | | | | | | | | | | | | | | | | | | | | | | | | | |
| 4134 | Plated Steel, Bag | 2 | | | | | | | | | | | | | | | | | | | | | | | | | | | | | | | | | | | | | | | | | | | | | | | | | | | | | | | | | | | | | |
| 4135 | Plated Steel, Bulk | 100 | | | | | | | | | | | | | | | | | | | | | | | | | | | | | | | | | | | | | | | | | | | | | | | | | | | | | | | | | | | | | |