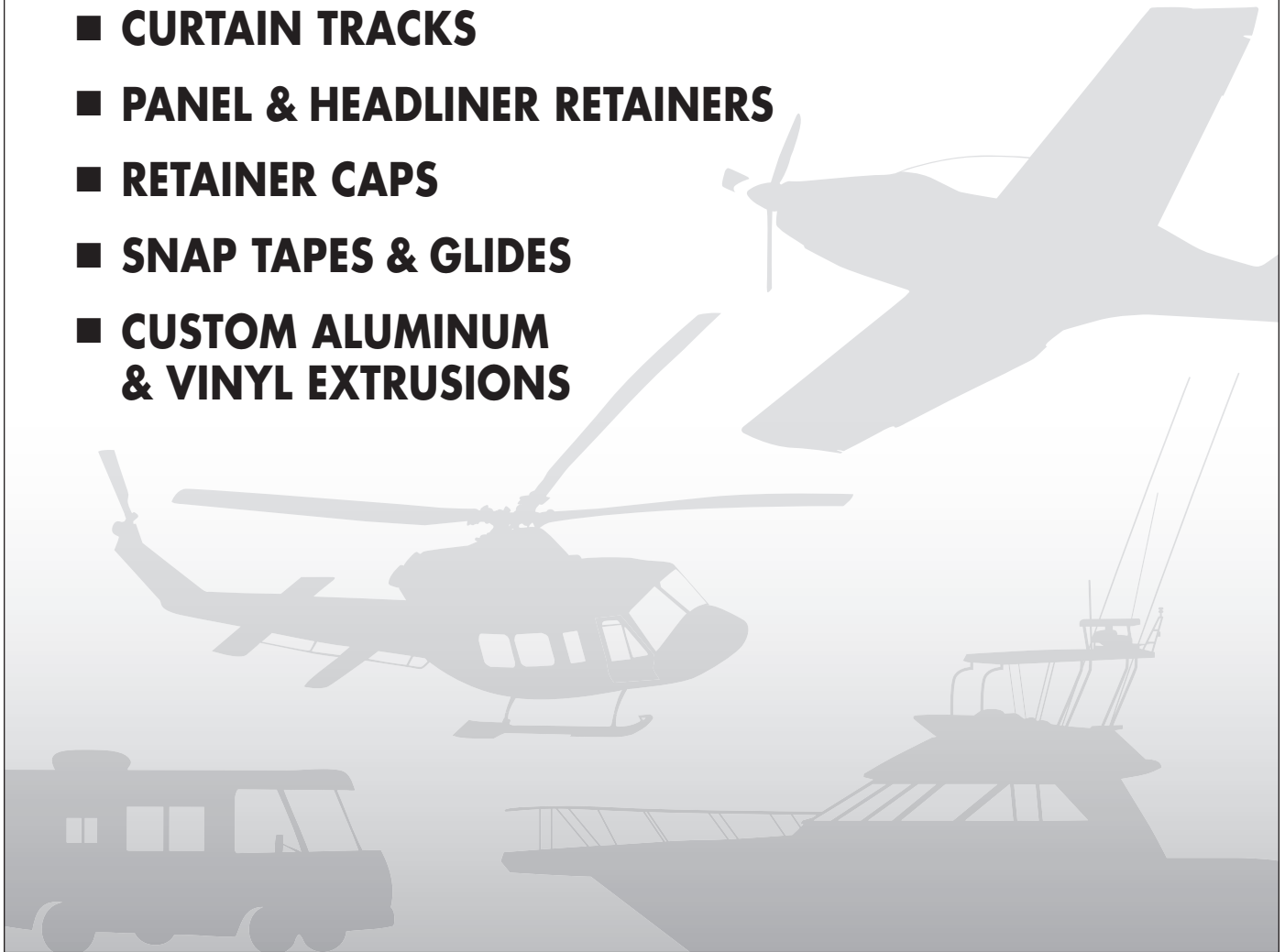
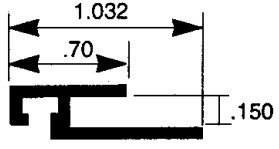
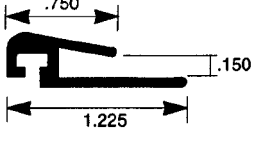
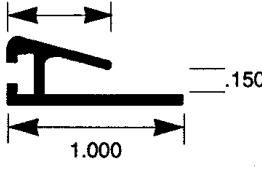
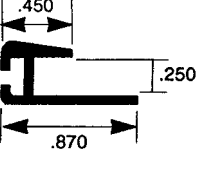
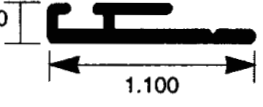
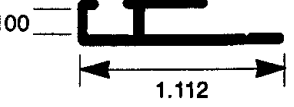
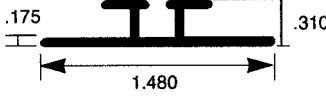
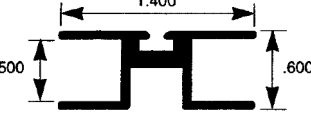


- CURTAIN TRACKS
- PANEL & HEADLINER RETAINERS
- RETAINER CAPS
- SNAP TAPES & GLIDES
- CUSTOM ALUMINUM & VINYL EXTRUSIONS

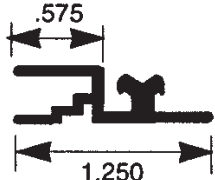
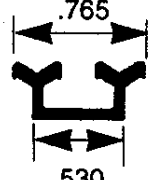
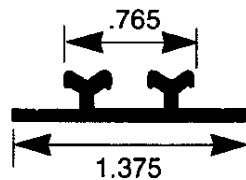

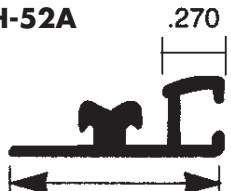


ALUMINUM & VINYL CURTAIN TRACK/PANEL RETAINERS

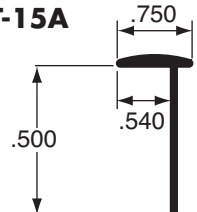
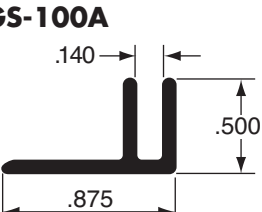
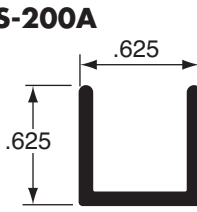
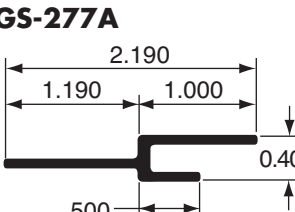
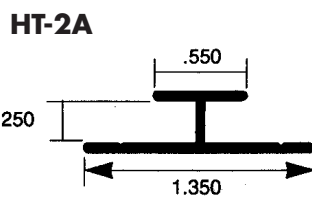
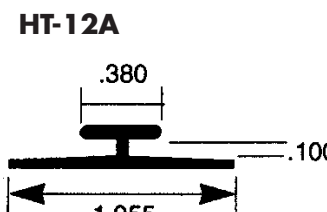
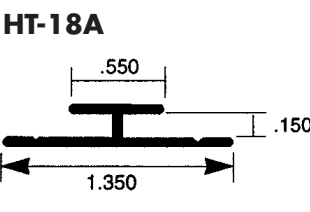
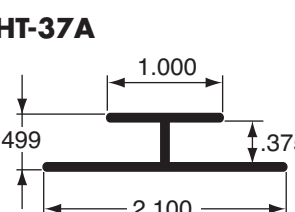
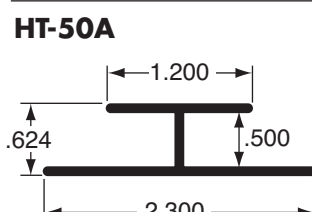
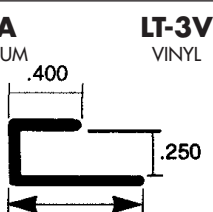
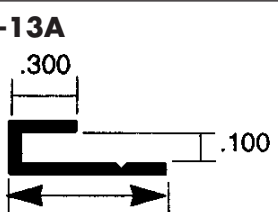
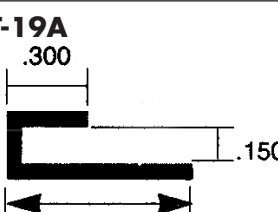
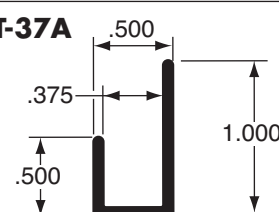
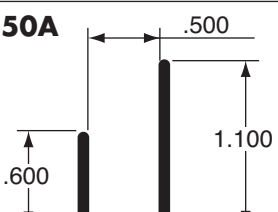
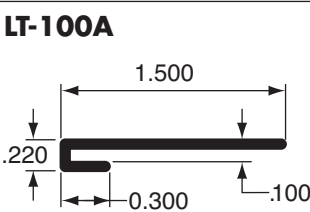
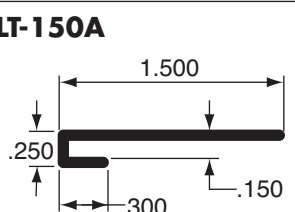
<p>LTP-41A</p> 	<p>LTP-43A</p> 	<p>LTP-47A</p> 	<p>LTP-49A</p> 
<p>LTP-52A</p> 	<p>LTP-50A</p> 	<p>ODT-8A ALUMINUM</p> <p>ODT-8V VINYL</p> 	<p>ODT-140</p> 

**All products aluminum unless otherwise specified.
All dimensions are in inches.*

ALUMINUM HEADLINER RETAINERS

<p>HLU-8A</p> 	<p>HRB-2A</p> 	<p>HRB-4A</p> 	<p>HRB-20A</p> 
<p>LTH-52A</p> 			

ALUMINUM & VINYL PANEL RETAINERS

<p>CHT-15A</p> 	<p>GS-100A</p> 	<p>GS-200A</p> 	<p>GS-277A</p> 
<p>HT-2A</p> 	<p>HT-12A</p> 	<p>HT-18A</p> 	<p>HT-37A</p> 
<p>HT-50A</p> 	<p>LT-3A ALUMINUM</p> <p>LT-3V VINYL</p> 	<p>LT-13A</p> 	<p>LT-19A</p> 
<p>LT-37A</p> 	<p>LT-50A</p> 	<p>LT-100A</p> 	<p>LT-150A</p> 

*All products aluminum unless otherwise specified.
All dimensions are in inches.

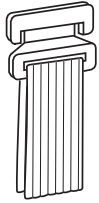
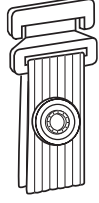
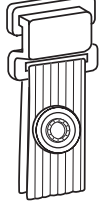
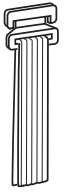

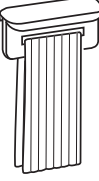
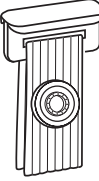
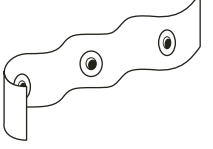
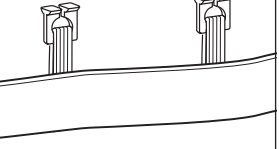
ALUMINUM & VINYL CURTAIN TRACKS

<p>CCT-100A</p>	<p>CPR-6A</p>	<p>CT-30A ALUMINUM CT-30T4 (T4) SOFT ALUMINUM</p>	<p>CT-40A</p>
<p>F-1048</p>	<p>FJ-6A</p>	<p>FJ-37A</p>	<p>FJ-68A</p>
<p>HT-28A</p>	<p>JSC-75VG</p> <p>AVAILABLE IN VINYL ONLY</p>	<p>LTC-18A</p>	<p>LTC-70A ALUMINUM LTC-70T4 (T4) SOFT ALUMINUM</p>
<p>LTC-75A ALUMINUM LTC-75T4 (T4) SOFT ALUMINUM</p>	<p>ODT-12A</p>	<p>PR-100A</p>	<p>PR-375A</p>
<p>PRB-14A</p>	<p>SA-50A</p>	<p>SD-84A</p>	<p>SV-55VB</p> <p>AVAILABLE IN VINYL ONLY</p>

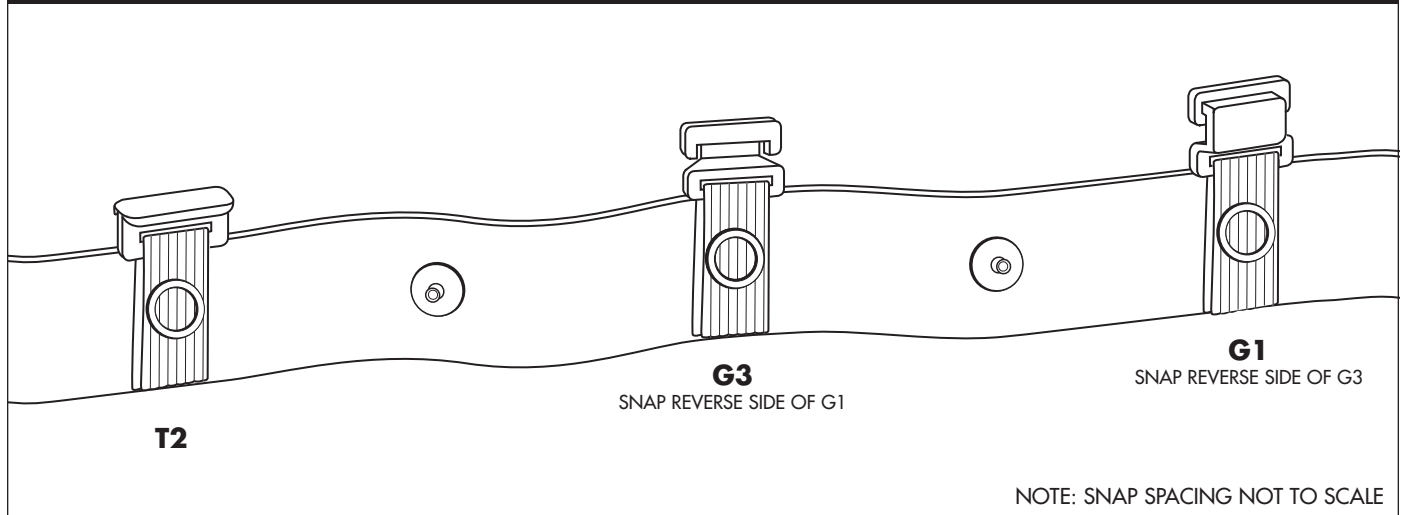
VINYL RETAINER CAPS

<p>BPT-10-VB</p>	<p>HRC-5V</p>	<p>PRC-2HV</p>	<p>PCC-15V</p>
<p>PRB-19V</p>	<p>*All products aluminum unless otherwise specified. All dimensions are in inches.</p>		

GLIDES AND TAPES

G	G1 SNAP REVERSE SIDE OF G3	G3 SNAP REVERSE SIDE OF G1	G14	T24														
																		
NYLON GLIDE WITH 2-1/4 INCH ELASTIC STRAP	NYLON GLIDE WITH SNAP AND 2-1/4 INCH ELASTIC STRAP	NYLON GLIDE WITH SNAP AND 2-1/4 INCH ELASTIC STRAP	NYLON GLIDE WITH 2-1/4 INCH ELASTIC STRAP	NYLON GLIDE WITH 2-1/4 INCH ELASTIC STRAP														
T	T2	CST 1 INCH WIDE SNAP TAPE	CT 5/8 INCH WIDE SNAP TAPE															
																		
NYLON GLIDE WITH 2-1/4 INCH ELASTIC STRAP	NYLON GLIDE WITH SNAP AND 2-1/4 INCH ELASTIC STRAP	<table border="1"> <thead> <tr> <th>PART #</th> <th>DESCRIPTION</th> </tr> </thead> <tbody> <tr> <td>CST-30</td> <td>3 Inch Snap Spacing</td> </tr> <tr> <td>CST-35</td> <td>3 1/2 Inch Snap Spacing</td> </tr> <tr> <td>CST-40</td> <td>4 Inch Snap Spacing</td> </tr> </tbody> </table>	PART #	DESCRIPTION	CST-30	3 Inch Snap Spacing	CST-35	3 1/2 Inch Snap Spacing	CST-40	4 Inch Snap Spacing	<table border="1"> <thead> <tr> <th>PART #</th> <th>DESCRIPTION</th> </tr> </thead> <tbody> <tr> <td>CT-30</td> <td>3 Inch Glide Spacing</td> </tr> <tr> <td>CT-40</td> <td>4 Inch Snap Spacing</td> </tr> </tbody> </table>		PART #	DESCRIPTION	CT-30	3 Inch Glide Spacing	CT-40	4 Inch Snap Spacing
PART #	DESCRIPTION																	
CST-30	3 Inch Snap Spacing																	
CST-35	3 1/2 Inch Snap Spacing																	
CST-40	4 Inch Snap Spacing																	
PART #	DESCRIPTION																	
CT-30	3 Inch Glide Spacing																	
CT-40	4 Inch Snap Spacing																	

CST SNAP TAPE WITH TYPICAL GLIDE APPLICATIONS



CT-- CURTAIN TAPE WITH TYPICAL SEWN ON GLIDE APPLICATIONS

